

- /rectangular 4,5 m
- /walk-in cold store
- /longitudinal draft counter
- /3 open-up flaps

4500 K



Bar and Event Trailer

4500 K

Handling

Opening/closing 1 person app. 10 min.

Weights

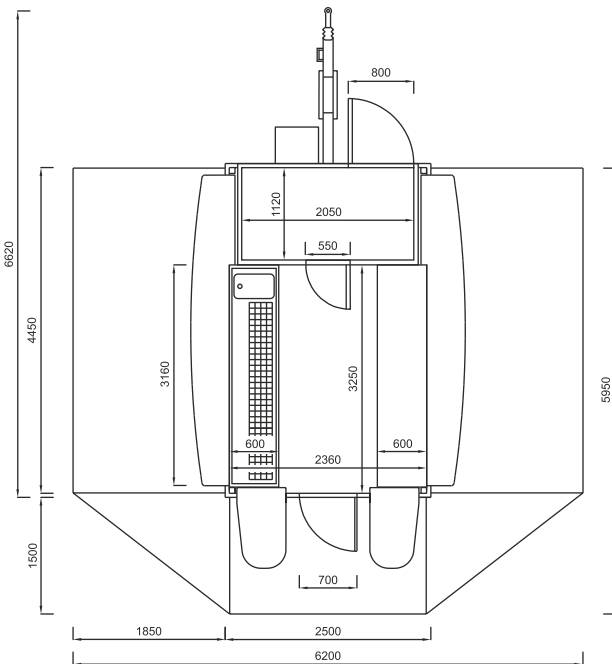
Gross vehicle weight max. 2.620 kg
Tare weight basic type app. 2.100 kg
Payload basic type app. 520 kg

Dimensions

Overall (without roof display) app. 6.620 x 2.550 x 2.900 mm
Rectangular sales area app. 3.250 x 2.360 mm
Interior standing height app. 2.260 mm
Covered sales area app. 5.950 x 6.200 mm
Cold store interior app. 1.120 x 2.050 x 2.100 mm
Surrounding counter length (3 sides) app. 14.000 mm
Longitudinal draft counter app. 3.160 x 600 mm

Standard features

hot galvanized chassis with single axle and 15" tires, height adjustable drawbar, EU standard overrunning and parking brake, 12 V EU standard lighting system, reinforced jockey wheel and support legs, stainless steel corner posts, PEKI AluStar all-aluminum system floor, full insulated cold store with entrance door at the front and passing door to the sales area, 230 V 16 A 50 Hz reinforced cooling machine, PEKI all-aluminum system roof, insulated sandwich roof panel and open-up flaps, 2 step interior and folding counters with optimum working and guest height, surrounding guest counters in rounded design, entrance door at the rear with folding table left and right, longitudinal draft counter on the left with brushed NCS covering with sink, cold water tap and drip tray, longitudinal working counter on the right with space for beverage chest cooler or refrigerator, 230 V 16 A basic electric system with German standard plugs, supply for fresh and used water with connections, PVC corner covers, ...



Also available with arched roof. All weights and dimensions are app., in basic version as described above and according DIN 70020. We reserve the right for changes and modifications without prior notice. Pictures show special equipment. Errors and omissions reserved. © PEKI 2023

Type 4500 K/KD with arched roof



PEKI GmbH
Vehicles and Systems for Events
Am Neuhaus 2
DE-54317 Osburg/Trier Germany

Phone: +49-6500-9141-0
Fax: +49-6500-9141-83
e-mail: info@peki.com
www.peki.com

